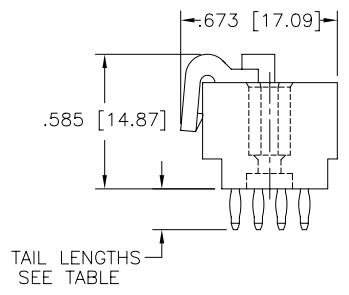
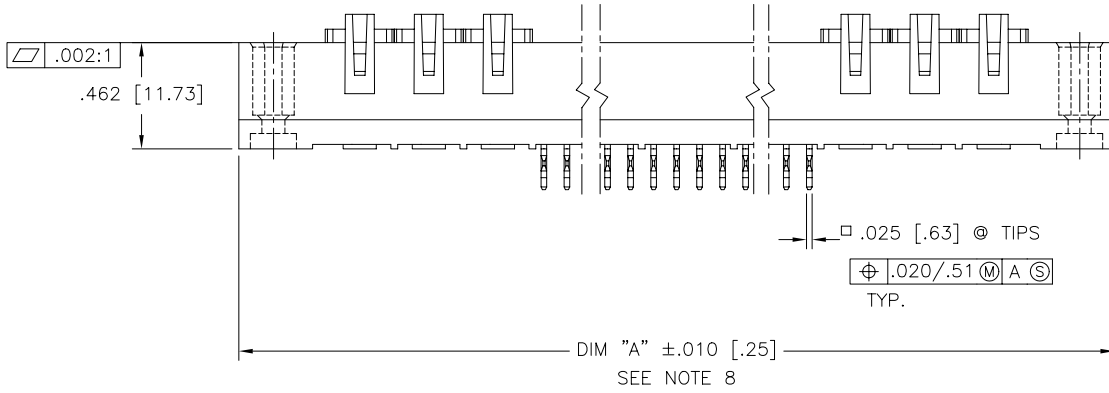
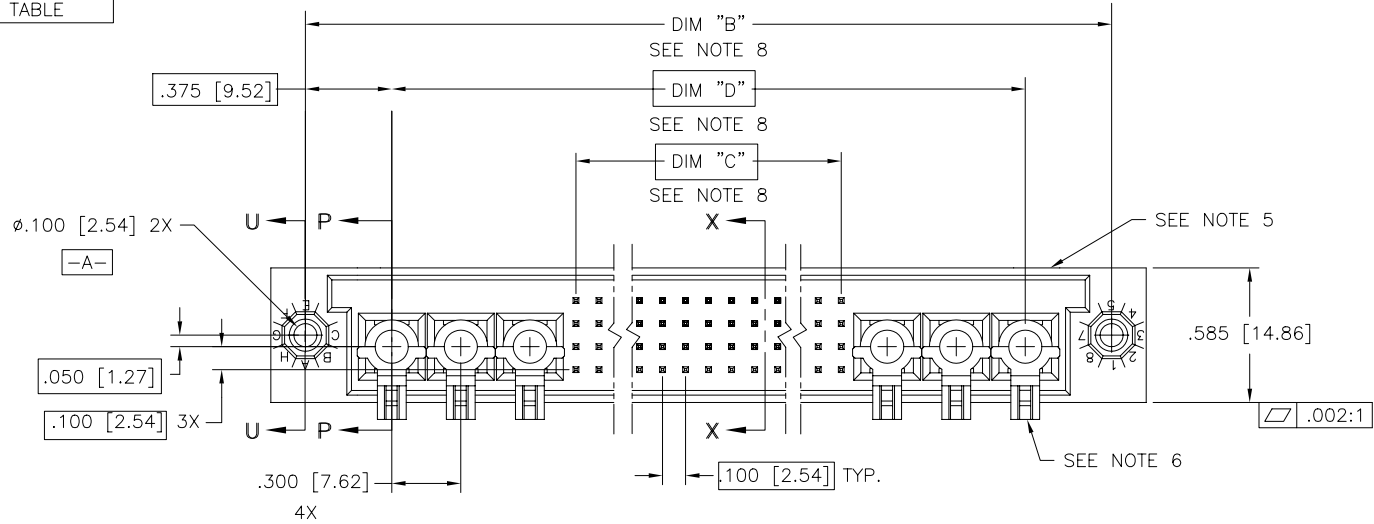




FCIconnect.com

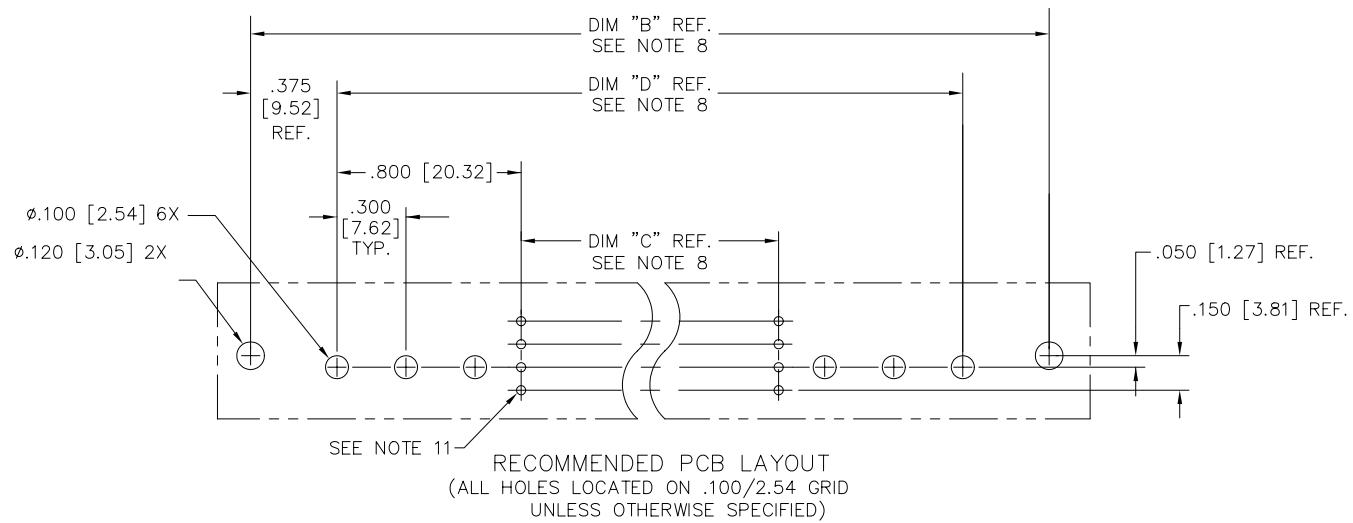
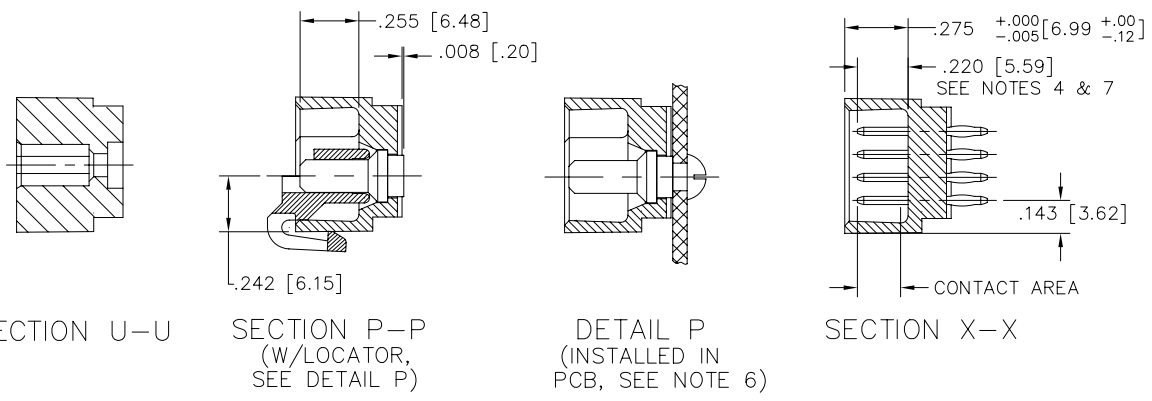
Copyright FCI

PRODUCT NUMBER
SEE TABLE



mat'l. code SEE NOTE 3		surface ISO 1302 ✓		tolerance ISO 406 ISO 1101		projection INCH/MM		product family HPC	
ltr	ecm no	dr	date	tolerances unless otherwise specified		INCH/MM		title	
E	v92856	HTB	8/30/99	angles	linear	.xx ±.01/.3		4 ROW VERTICAL HEADER	
F	v00273	JWS	2/01/00			.xxx ±.005/.13		PRESS FIT, 0 G. P., 6 P.P.	
G	v05-0418	DAI	5/12/05	σ±2'		.xxxx ±.0020/.051		scale 1:1	
H	v05-0626	HTB	7/06/05	dr	D. SHEAFFER	5/07/92		dwg no	
J	v05-0857	DCH	9/06/05	enfr	S. CLARK	5/11/92		sheet 1 of 5 size	
K	v05-1048	DAI	11/15/05	chr	S. CLARK	5/11/92		50514 A3	
L	M06-0261	AEA	7/08/06	appd	S. CLARK	5/11/92		type Product Customer Drawing	
sheet	revision	L	L	L	L	L	L		
index	sheet	1	2	3	4	5			

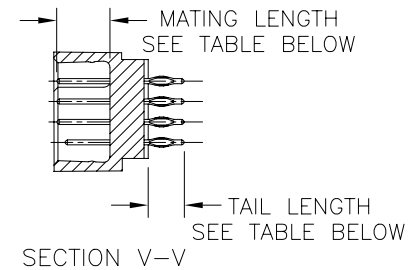
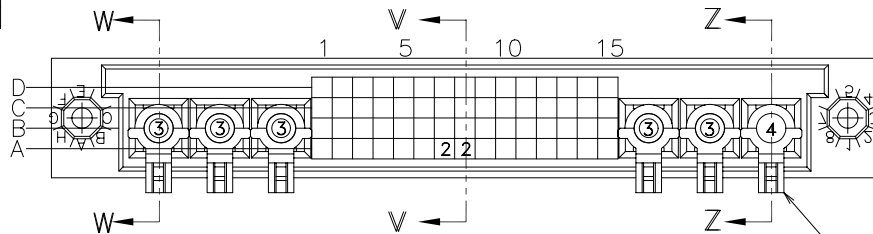
PRODUCT NUMBER
SEE TABLE



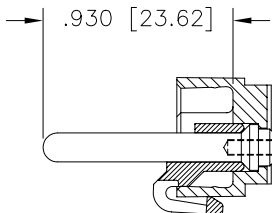
Copyright FCI

mat'l. code SEE NOTE 3		surface ISO 1302 ✓	tolerance ISO 406 ISO 1101	projection ⊕	product family HPC
ltr	ecn	no	dr	date	tolerances unless otherwise specified
L					angles linear .xx ±.01/.3 .xxx ±.005/.13 .xxxx ±.0020/.051
					0°±2'
			dr	D. SHEAFFER	5/07/92
			enr	S. CLARK	5/11/92
			chr	S. CLARK	5/11/92
			appd	S. CLARK	5/11/92
sheet	revision				
index	sheet				
				scale 1:1	title 4 ROW VERTICAL HEADER PRESS FIT, 0 G. P., 6 P.P.
				FCI	dwg no 50514
					sheet 2 of 5 size A3
				type	Product Customer Drawing

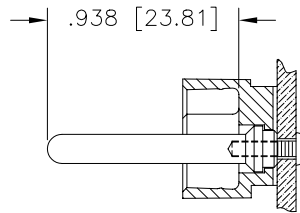
PRODUCT NUMBER
50514-XX001
50514-XX001LF
50514-XX001B
50514-XX001BLF



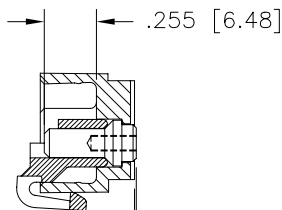
SEE NOTE 4



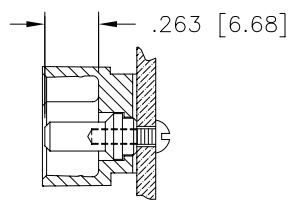
SECTION Z-Z



SECTION Z-Z
(INSTALLED)



SECTION W-W



SECTION W-W
(INSTALLED)

.008 [0.20] 6X

NOTES: FOR LOAD PATTERN 50514-XX001, 50514-XX001LF, 50514-XX001B AND 50514-XX001BLF ONLY:

- (58) POSITIONS SHOWN BLANK ARE LOADED WITH ITEM "1", FROM TABLE BELOW.
- COLUMN 1 ROW A IS DESIGNATED AS PIN 1, VIEWED FROM THE MATING FACE.
- SHIPPING INSTRUCTIONS:
X PC(S) OF 50514-XX001
PACKAGED PER BUS-14-143 AND
SPECIAL PACKAGING REQUIREMENTS:

2X PCS OF 77549-004
PLASTIC ORIENTATION KEY-
TOTAL QTY. BAGGED SEPARATELY
W/ALL OF THE ABOVE TO BE
PACKED IN THE SAME BOX.
- POWER PIN LOCATOR (REF. 50234) TO BE REMOVED AFTER BOARD INSTALLATION.

SELECT LOAD

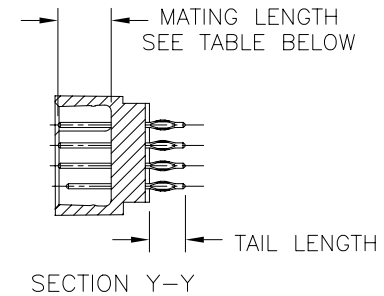
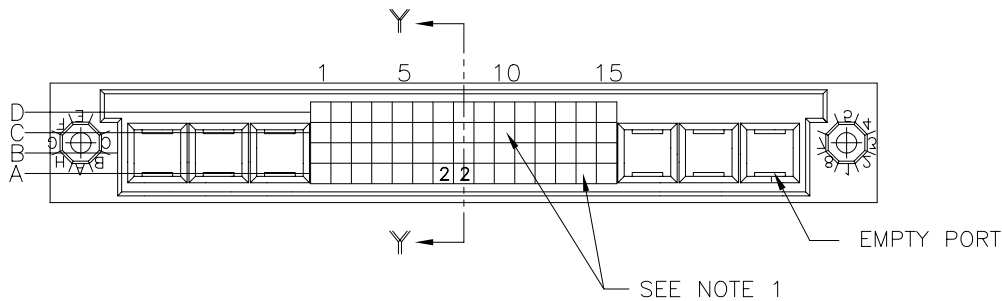
LOAD PATTERN FOR 50514-XX001, -XX001LF,
50514-XX001B, AND -XX001BLF

ITEM	SIZE-4X15+6P	NUMBER OF POSITIONS-60S+6P	POSITIONS LOADED-60S+6P	
	QTY.	PART NAME	MATING LENGTH	TAIL LENGTH
1	58	SIGNAL PIN	.260/6.6	.250/6.35
2	2	SIGNAL PIN	.220/5.59	.250/6.35
3	5	POWER PIN	.263/6.68	N/A
4	1	POWER PIN	.938/23.83	N/A
5	2	LOCATOR	NOT-ASSEMBLED - SEE NOTE 3	

mat'l. code SEE NOTE 3	surface ISO 1302 ✓	tolerance ISO 406 ISO 1101	projection ⊕	product family HPC
ltr	ecn	no	dr	date
tolerances unless otherwise specified				title
L				
	angles	linear	.xx ±.01/.3	INCH/MM
			.xxx ±.005/.13	
	σ±2'		.xxx ±.0020/.051	scale 1:1
	dr	D. SHEAFFER	5/07/92	dwg no
	enfr	S. CLARK	5/11/92	sheet 3 of 5 size
	chr	S. CLARK	5/11/92	50514 A3
	appd	S. CLARK	5/11/92	type Product Customer Drawing
sheet index	revision sheet			

form: A3

PRODUCT NUMBER
50514-XX008
50514-XX008LF



NOTES FOR LOAD PATTERN 50514-XX008 AND 50514-XX008LF ONLY:

- (58) POSITIONS SHOWN BLANK ARE LOADED WITH ITEM "1", EXCEPT WHERE NOTED.
- COLUMN 1 ROW A IS DESIGNATED AS PIN 1, VIEWED FROM THE MATING FACE.

SELECT LOAD

LOAD PATTERN FOR 50514-XX008
AND 50514-XX008LF

ITEM	SIZE-4X15+6P	NUMBER OF POSITIONS-60S+6P	POSITIONS LOADED-60S+0P	
	QTY.	PART NAME	MATING LENGTH	TAIL LENGTH
1	58	SIGNAL PIN	.260/6.60	.250/6.35
2	2	SIGNAL PIN	.220/5.59	.250/6.35

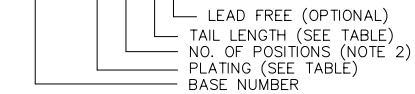
mat'l. code SEE NOTE 3		surface ISO 1302 ✓	tolerance ISO 406 ISO 1101	projection ⊕	product family HPC
ltr	ecn	no	dr	date	tolerances unless otherwise specified
L					angles linear .xx ±.01/.3 .xxx ±.005/.13 .xxxx ±.0020/.051
			dr	D. SHEAFFER	5/07/92
			enfr	S. CLARK	5/11/92
			chr	S. CLARK	5/11/92
			appd	S. CLARK	5/11/92
sheet index	revision sheet				
title 4 ROW VERTICAL HEADER PRESS FIT, 0 G. P., 6 P.P.					dwg no 50514
scale 1:1					sheet 4 of 5 size A3
type Product Customer Drawing					

form: A3

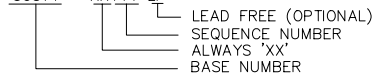
PRODUCT NUMBER SEE NOTE 1 & 9	NUMBER OF POSITIONS SEE NOTE 2	TAIL LENGTH REF.	CONTACT PLATING
50514-1YYYYA	YYY	.177/4.50	30u"/0.76μ Au
50514-1YYYYG	YYY	.250/6.35	30u"/0.76μ Au
50514-5YYYYA	YYY	.177/4.50	30u"/0.76μ GXT
50514-5YYYYALF	YYY	.177/4.50	30u"/0.76μ GXT
50514-5YYYYG	YYY	.250/6.35	30u"/0.76μ GXT
50514-5YYYYGLF	YYY	.250/6.35	30u"/0.76μ GXT
50514-XX001	SEE SHEET 3	SEE SHEET 3	30u"/0.76μ Au
50514-XX001LF	SEE SHEET 3	SEE SHEET 3	30u"/0.76μ GXT
50514-XX001B	SEE SHEET 3	SEE SHEET 3	30u"/0.76μ Au
50514-XX001BLF	SEE SHEET 3	SEE SHEET 3	30u"/0.76μ GXT
50514-XX008	SEE SHEET 4	SEE SHEET 4	30u"/0.76μ Au
50514-XX008LF	SEE SHEET 4	SEE SHEET 4	30u"/0.76μ GXT

NOTES:

①. PRODUCT NUMBERING CODE:
50514 - X.YYY.Z.LF



PRODUCT NUMBERING CODE FOR
SELECT LOAD PART NUMBERS:
50514 - XXYYY.LF



- ②. THIS PRODUCT IS CONFIGURED IN SIZES OF 6 THRU 80 COLUMNS IN INCREMENTS OF ONE i.e: 6, 7, 8, 9.....79, 80.
- ③. MATERIAL:
HOUSING: GLASS FILLED AND MINERAL FILLED HIGH TEMP THERMOPLASTIC,
FLAME RETARDANT PER UL-94V-0
COLOR: BLACK
TERMINALS: PHOS BRONZE
- ④. TO ASSURE PROPER INSTALLATION, TOOLING AS SPECIFIED IN INSTRUCTION MANUAL 155918-001 MUST BE USED. PIN MATING LENGTH WILL BE =±.002(0.05) AFTER INSTALLATION.
- ⑤. MANUFACTURERS NAME, PART NUMBER, AND LOT CODE TO APPEAR ON THIS SURFACE PER BUS-12-108.
- ⑥. POWER PIN LOCATOR (REF 50234) IS TO BE REMOVED AFTER INSTALLATION.
- ⑦. REFER TO 50804 FOR F.M.L.B. OPTIONS AND WORKSHEETS.
- ⑧. LENGTH CALCULATIONS:
DIM "A" CALCULATION = .100(2.54) X NO. OF COLUMNS + 2.55 (64.8)
DIM "B" CALCULATION = .100(2.54) X NO. OF COLUMNS + 2.250 (57.15)
DIM "C" CALCULATION = .100(2.54) X NO. OF COLUMNS - .100 (2.54)
DIM "D" CALCULATION = .100(2.54) X NO. OF COLUMNS + 1.500 (38.10)

- ⑨. THIS PRODUCT (WITH "LF" SUFFIX) MEETS EUROPEAN UNION DIRECTIVES AND OTHER COUNTRY REGULATIONS AS DESCRIBED IN GS-22-008.
- 10. THIS HOUSING WILL WITHSTAND EXPOSURE TO 260°C PEAK TEMPERATURE FOR 10-30 SECONDS IN A CONVECTION, INFRA-RED OR VAPOR PHASE REFLOW OVEN.
- ⑪. PCB HOLES FOR PRESS FIT TERMINALS SHOULD BE DRILLED TO .0453(1.151) DIA. AND PLATED WITH .0003(.007) MIN Sn OR SnPb OVER .001(.03) TO .003(0.76) Cu PLATING TO ACHIEVE A .040±.003(1.02±.08) FINISHED HOLE.

mat'l. code SEE NOTE 3		surface ISO 1302 ✓		tolerance ISO 406 ISO 1101		projection 		product family HPC	
ltr		ecn		no		dr		date	
L									
angles		linear		.xx ±.01/.3		INCH/MM		title	
0°±2'				.xxx ±.005/.13		scale 1:1		4 ROW VERTICAL HEADER	
dr		D. SHEAFFER		5/07/92		FCJ		PRESS FIT, 0 G. P., 6 P.P.	
enfr		S. CLARK		5/11/92		dwg no		sheet 5 of 5 size	
chr		S. CLARK		5/11/92		50514		A3	
appd		S. CLARK		5/11/92		type		Product Customer Drawing	
sheet index		revision sheet							